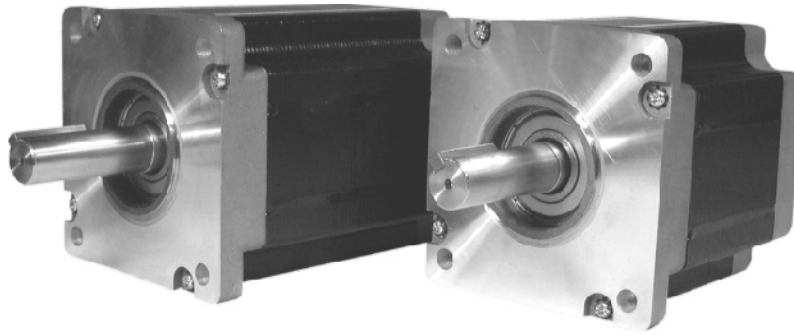


Nema 43

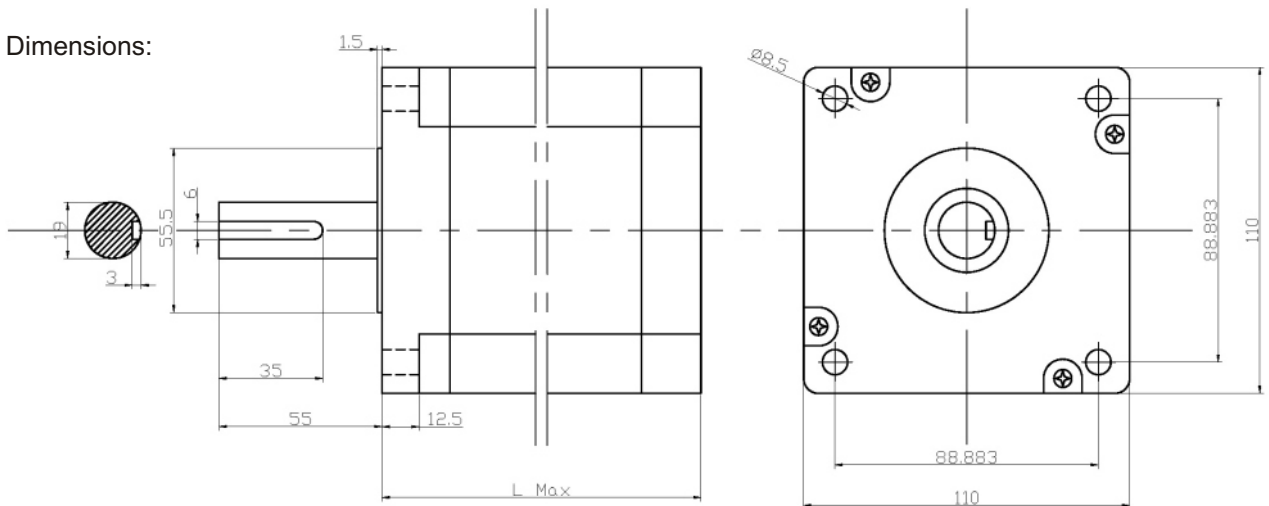
2 phase 1.8° step angle
 hybrid stepping motor



Specifications:

Model	Holding Torque (Nm)	Phase current (A)	Rotor Inertia (g/cm ²)	Motor Length L max (mm)	Detent Torque (Nm)	Phase Resistance (ohm)	Phase Inductance (mH)	Lead Wire (No)	Motor Weight (Kg)	Note
M1433011	14.4	12	5500	115	0.45	0.53	2.1	8	6.3	Bip. parallel
M1433021	21	12	11000	150	0.65	0.69	3.1	8	8.5	Bip. parallel

Mechanical Dimensions:
 Unit: mm



Wiring Diagram:

